

# Customer Information Sheet

DRAWING No.: S1001-46R

SHEET 2 OF 2

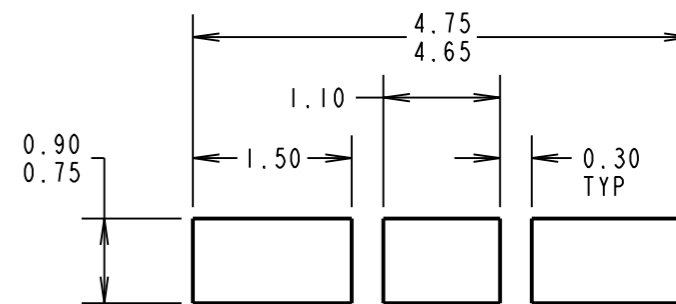
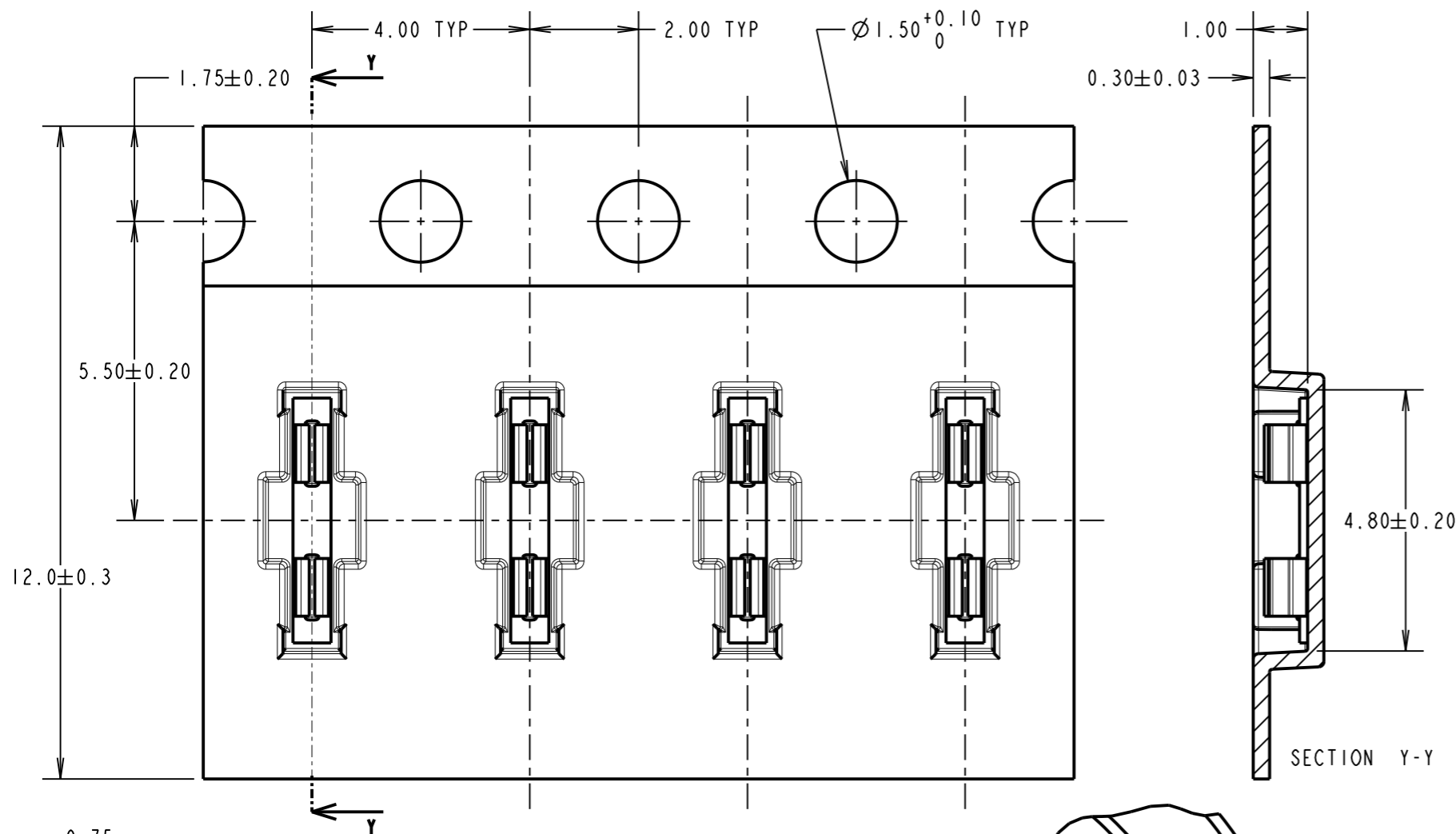
IF IN DOUBT - ASK

©

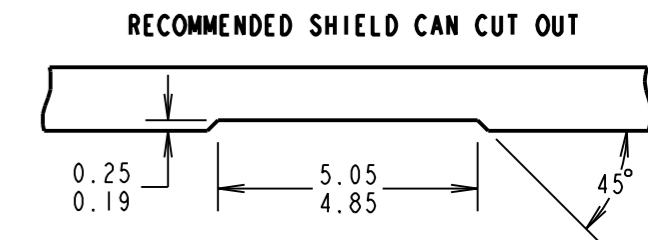
NOT TO SCALE

THIRD ANGLE PROJECTION

ALL DIMENSIONS IN mm

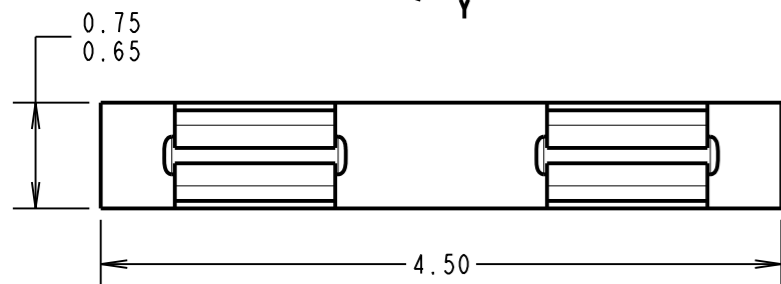


RECOMMENDED PAD LAYOUT

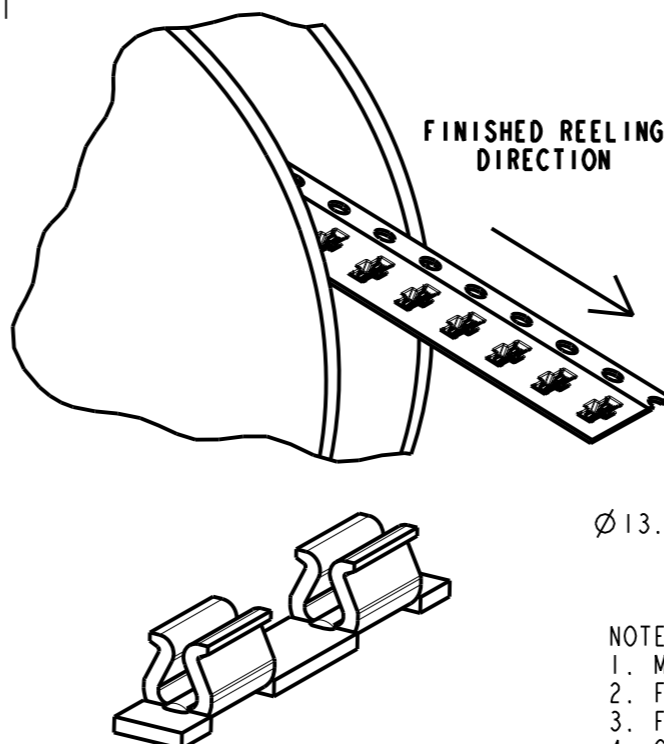
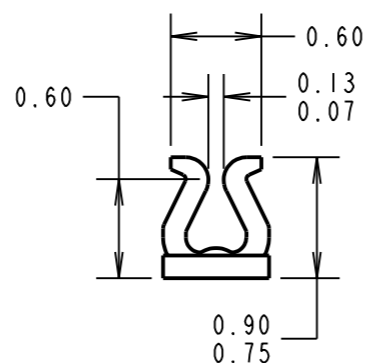
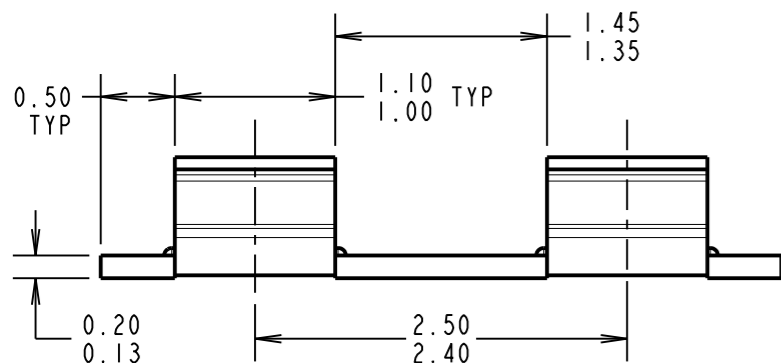


RECOMMENDED SHIELD CAN CUT OUT

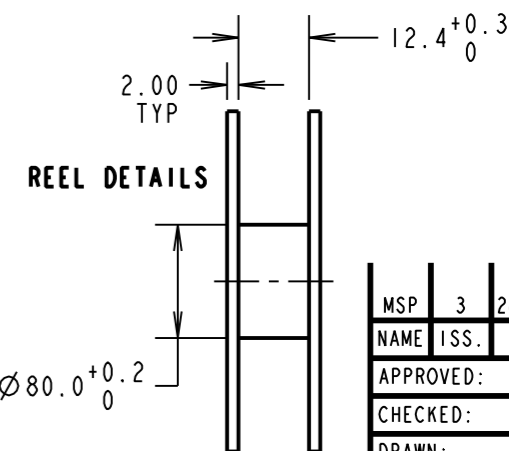
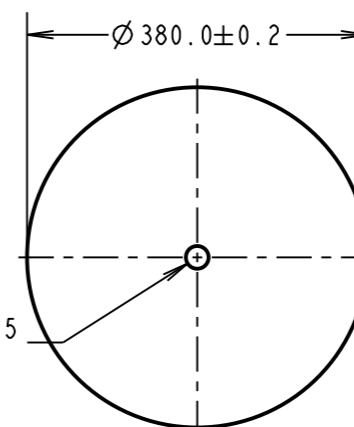
**SPECIFICATION:**  
**MATERIAL:**  
 CONTACT = STAINLESS STEEL  
**ELECTRICAL:**  
 RESISTANCE = 100mΩ MAX  
**MECHANICAL:**  
 INSERTION FORCE = 19.7N MAX  
 WITHDRAWAL FORCE = 0.98N MIN  
 DURABILITY = 10 CYCLES  
**ENVIRONMENTAL:**  
 OPERATING TEMPERATURE = -25°C TO +150°C  
 STORAGE TEMPERATURE = -40°C TO 85°C  
**PACKAGING:**  
 TAPE AND REEL PACKED IN BOX



COMPONENT DETAILS



FINISHED REELING DIRECTION



REEL DETAILS

- NOTES:**
1. MAXIMUM PERMISSIBLE BURR IS 0.03mm MAX.
  2. FINISH = 2.0µm - 3.0µm TIN OVER 0.4µm - 1.2µm NICKEL.
  3. FOR USE WITH 0.15 - 0.20mm THICK SHIELD CANS.
  4. QUANTITY PER REEL = 20,000. 11 REELS PACKED IN BOX.

MSP	3	28.09.16	13439
NAME	ISS.	DATE	C/NOTE
APPROVED:		M.PERREN	
CHECKED:		S.BENNETT	
DRAWN:		S.BENNETT	
CUSTOMER REF.:			
ASSEMBLY DRG.:			

**HARWIN**

www.harwin.com  
 technical@harwin.com

THIS DRAWING AND ANY INFORMATION OR DESCRIPTIVE MATTER SET OUT HEREON ARE CONFIDENTIAL AND COPYRIGHT PROPERTY OF THE HARWIN GROUP AND MUST NOT BE DISCLOSED, LOANED, COPIED OR USED FOR MANUFACTURING, TENDERING OR FOR ANY OTHER PURPOSE WITHOUT THEIR WRITTEN PERMISSION.

**TOLERANCES**  
 X. = ±1mm  
 X.X = ±0.25mm  
 X.XX = ±0.10mm  
 X.XXX = ±0.01mm  
**ANGLES = ±5°**  
**UNLESS STATED**

**MATERIAL:**  
 SEE ABOVE  
**FINISH:**  
 SEE ABOVE  
**S/AREA:**  
 mm<sup>2</sup>

**TITLE:**  
 SURFACE MOUNT RFI SHIELD CLIP IN TAPE AND REEL

**DRAWING NUMBER:**  
 S1001-46R

SHT  
 2 OF 2