

PRODUCT BRIEF:

Logic PD :: Texas Instruments
www.logicpd.com/ti

OMAP35x SOM-LV System on Module

:: SUPPORTED PROCESSORS:

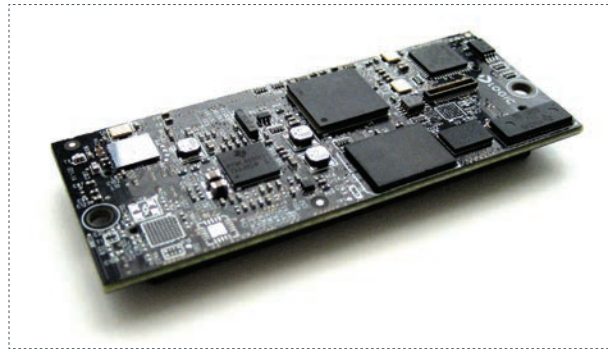
OMAP3530
OMAP3503

The OMAP35x System on Module (SOM) is a compact, product-ready hardware and software solution that fast forwards embedded designs.

Based on the Texas Instruments (TI) OMAP 3 processor family and designed in the SOM-LV Type III form factor, the OMAP35x SOM-LV offers essential features for handheld and embedded networking applications. The OMAP35x SOM-LV features the superset OMAP3530 processor, but also supports the OMAP3503 processor.

The OMAP35x SOM-LV is an off-the-shelf solution that reduces development risks associated with the complex design and manufacturing details of the OMAP 3 processor. The standard SOM-LV form factor allows developers to reuse existing baseboard designs when upgrading to new OMAP processors, which extends roadmap possibilities for end-products.

The OMAP35x SOM-LV is ideal for applications in the medical, point-of-sale, industrial, and security markets.



OMAP35x SOM-LV

From patient monitoring and medical imaging, to card payment terminals and bar code readers, to CCTV cameras and intruder alarms, the OMAP35x SOM-LV allows for powerful versatility and long-life products.

By starting with the corresponding Zoom™ OMAP35x Development Kit, engineers can write application software on the same hardware that will be used in the final product.

OMAP35x SOM-LV :: HIGHLIGHTS:

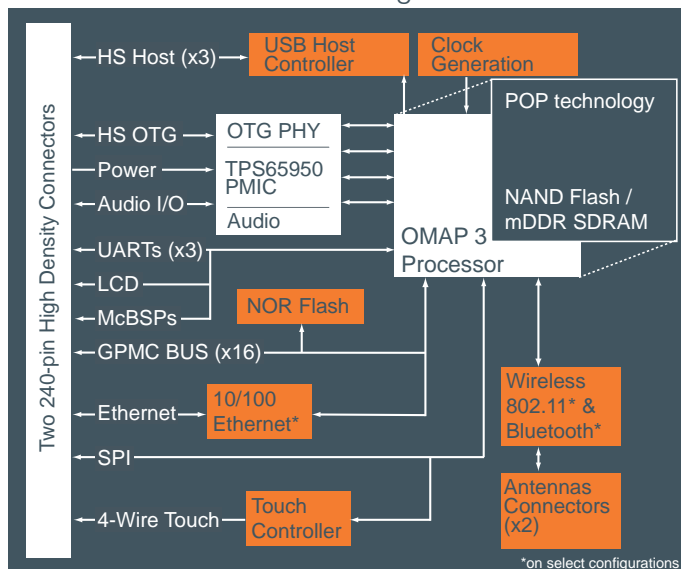
- + Product-ready System on Module with a TI OMAP 35x processor running up to 600 MHz
- + Compact form factor—SOM-LV Type III (31.2 x 76.5 x 7.4 mm)
- + Long product lifecycle
- + Microsoft Windows® Embedded CE 6.0 Board Support Package (BSP)
- + Open source Linux™ BSP
- + Extended temp (-20°C to 70°C)
Industrial temp (-40°C to 85°C)
Commercial temp in kit (0°C to 70°C)
- + RoHS compliant

ZOOM OMAP35x DEVELOPMENT KIT

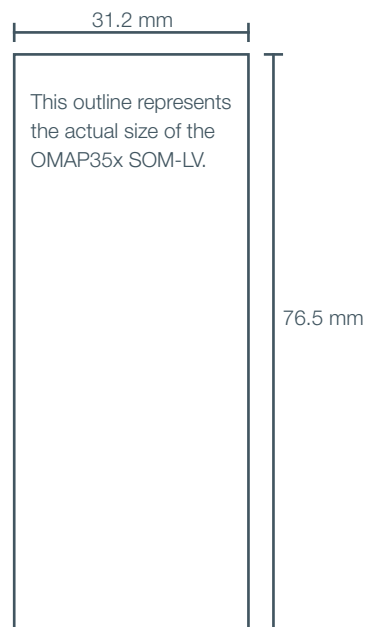
:: FEATURES:

- + Application baseboard
- + OMAP35x SOM-LV
- + 4.3" WQVGA LCD with 4-wire touchscreen
- + Necessary accessories to immediately get up and running
- + See the Zoom OMAP35x Development Kit Product Brief for more information

OMAP35x SOM-LV Block Diagram



NOTE: Block diagram is for reference purposes only; it is not drawn to scale.



Product Features

Processor

+TI OMAP 3 processor running up to 600 MHz

Memory

+Mobile DDR / NAND flash (PoP technology)
128 MB / 256 MB (kit SOM)
256 MB / 512 MB (standard SOMs)

Display

+Programmable color LCD controller supports up to a 24 bpp TFT interface
+Hardware supports XGA 1024x768 at 24-bit color

Touchscreen

+Integrated 4-wire touchscreen controller (TSC2004)

Network Support

+10/100 Base-T Ethernet controller
+802.11b/g wireless Ethernet
+Bluetooth 2.0 + EDR

Audio

+I2S compliant audio codec (16-bit stereo DAC, 13-bit ADC)

PC Card Expansion

+CompactFlash Type I card (memory-mode only)
+MMC/SD card support

USB

+One USB 2.0 high-speed host interface
+One USB 2.0 high-speed On-the-Go interface

Serial Ports

+Three external UARTs

GPIO

+Programmable I/O depending on peripheral requirements

Software

+LogicLoader™ (bootloader/monitor)
+Windows® Embedded CE 6.0 BSP
+Open source Linux™ BSP

Mechanical

+SOM-LV Type III form factor
+31.2 mm wide x 76.5 mm long x 7.4 mm high

RoHS Compliant

OMAP35x SOM-LV Ordering Information

Model Number ¹	mDDR (MB)	NAND Flash (MB)	NOR Flash (MB)	Wired Ethernet	802.11b/g Ethernet	Bluetooth	Temp. (°C)
SOMOMAP3503-11-1782GFIR ²	256	512	8	Y	N	N	-40°–85°
SOMOMAP3530-11-1782IFXR	256	512	8	Y	Y	Y	-20°–70°
SOMOMAP3530-11-1782JFIR	256	512	8	Y	N	Y	-40°–85°

NOTES: 1. Custom configurations are available by special order. Please contact Logic PD Sales for details.
2. Does not include touch controller.

Zoom™ OMAP35x Development Kit Ordering Information

Model Number	SOM-LV Configuration
TMDSMEVM3530-L	SOMOMAP3530-11-1672IFCR

NOTE: Zoom OMAP35x Development Kits are available through Logic PD and TI distributors.



411 N. Washington Ave. Suite 400 Minneapolis, MN 55401
T : 612.672.9495 F : 612.672.9489 I : www.logicpd.com
© 2014 Logic PD, Inc. All rights reserved. PN: 1009584 Rev K

LOGIC PD WEBSITE :: DESIGN RESOURCES:

+Logic PD Products : www.logicpd.com/products
+Logic PD Technical Support : www.logicpd.com/support
+Logic PD Sales : www.logicpd.com/contact/inquiry

