



APPROVAL SHEET

Customer Name .: _____

Model Name.: COOLER

Delta Part No.: FHS-A6025B02

Customer Part No.: _____

Spec Issue Date .: 2012/06/13

Spec Revision : 01

PLEASE SEND ONE COPY OF THIS SPECIFICATION BACK AFTER YOU
SIGNED APPROVAL FOR PRODUCTION PRE-ARRANGMENT.

Approved By: _____

Date: _____

| Approval | Check | Designer |
|----------------------|----------------------|-------------------|
| <i>Charles. Chen</i> | <i>Charles. Chen</i> | <i>Sheila. Hu</i> |



Delta Electronics Corp.

| REV. | Description | Drawn | Checked | Approved | Issue Date |
|---|---|--------------|----------------------|--------------|------------|
| 00 | ISSUE SPEC | Skyler.Huang | Charles.Chen | Charles.Chen | 05/29'12 |
| 01 | Change fan specification in page 12 to 21 | Sheila.Hu | Charles.Chen | Charles.Chen | 06/13'12 |
| Description: SAMPLE REVISION CODE LIST | | | | | |
| Part No. | | | | | REV |
| DELTA MODEL : FHS-A6025B02 | | | TOTAL <u>21</u> PAGE | | 01 |



Delta Electronics Corp.

CONTENTS

| Item | Element Description | Page | Note |
|-------------|----------------------------|-------------|-------------|
| 1 | Specification | 4 | |
| 2 | Print | 5 | |
| 3 | Packing Plan | 8 | |
| 4 | Fan | 11 | |
| 5 | | | |
| 6 | | | |
| 7 | | | |
| 8 | | | |
| 9 | | | |



Delta Electronics Corp.

1. SPECIFICATION

Characters

| Item | Description |
|-----------------------|--|
| Scope | THIS SPECIFICATION DEFINES THE ELECTRICAL AND MECHANICAL CHARACTERISTICS OF THE FAN HEATSINK |
| Application | INTEL LGA2011 CPU COOLER |
| Specification | |
| a: Thermal Resistance | 0.20 (°C/W) (REF.) |
| b: total weight | 540 g (REF.) |
| c: clip force | 25kgf (REF.) |

BOM

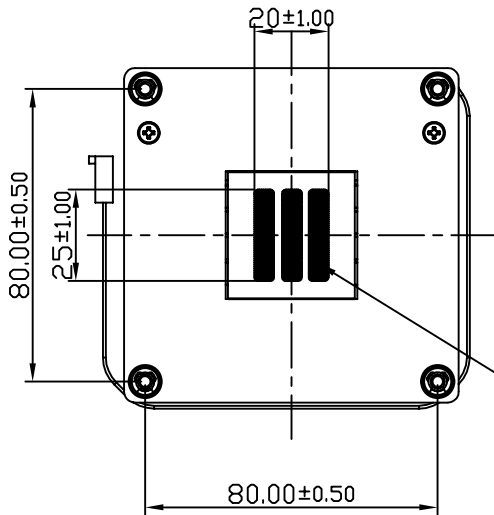
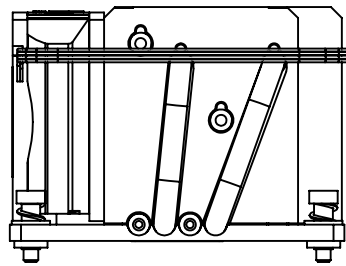
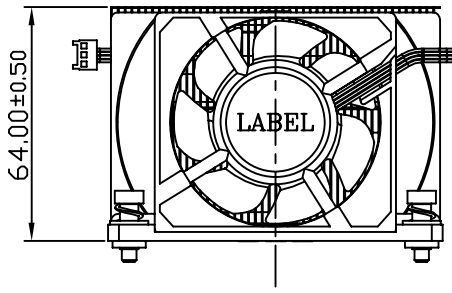
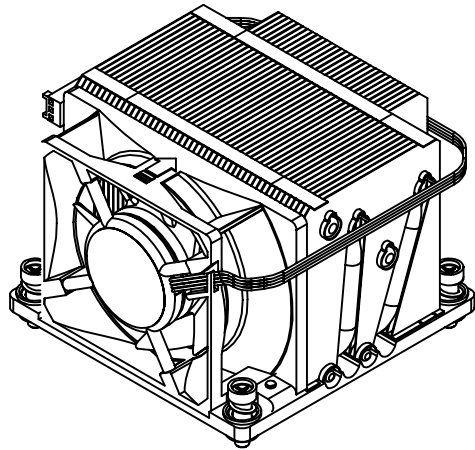
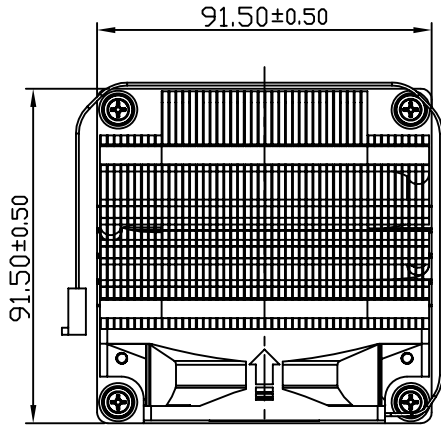
| Item | Part Name | Material | Part NO. | Q'TY | Remark |
|------|-----------|----------------|---------------------------|--------|--------|
| 1 | FAN | PBT | 3620927211 | 1 | |
| 2 | FAN SCREW | SUS | 3109182300 | 2 | |
| 3 | FIN | AL1050+CU 1100 | 3346397100 | 1 | |
| 4 | SCREW | SUS | 3105359900 | 4 | |
| 5 | SPRING | SWAP | 3462028800 | 4 | |
| 6 | E-CLIP | S20C | 3110264700 | 4 | |
| 7 | CU BLOCK | CU 1100 | 3346397300 | 1 | |
| 8 | AL SINK | ADC 12 | 3346814700 | 1 | |
| 9 | TIM | TC-1996 | 4021101500 | 0.308g | |
| 10 | Heat Pipe | C1020 | 3460094500~ 3460094800 | 4 | |
| 11 | SPACER | PBT | 3244747000 | 4 | |
| 12 | | | | | |
| 13 | | | | | |
| 14 | | | | | |
| 15 | | | | | |



2. PRINT

Assembly Drawing

DRAWING:



Dow Corning TC-1996 P/N:4021101500

*STENCIL THICKNESS=0.30(TYP.)



台達電子工業股份有限公司
DELTA ELECTRONICS, INC.

DELTA MODEL:
FHS-A6025B02

Drawn:
Skyler 05/28'12

THESE DRAWINGS AND SPECIFICATIONS ARE THE PROPERTY OF DELTA ELECTRONICS, INC. AND SHALL NOT BE REPRODUCED OR USED AS THE BASIS FOR THE MANUFACTURE OR SELL OF APPARATUSES OR DEVICES WITHOUT PERMISSION.

CUSTOMER NAME: -----

CUSTOMER P/N: -----

| DIMENSIONAL TOLERANCES | | HOLES : ±0.05 | | ANGLES : ±0.5° | |
|------------------------|-------|---------------|-----------------|-----------------|-----------------|
| () | () | () | () | () | () |
| <30 | ±0.25 | DECIMALS | UP~100 : ±0.2 | 250~300 : ±0.4 | UP~600 : ±1.5 |
| >30~100 | ±0.35 | X : ±0.3 | 100~150 : ±0.25 | 300~350 : ±0.45 | 600~900 : ±2.4 |
| >100~300 | ±0.5 | XX : ±0.2 | 150~200 : ±0.3 | 350~400 : ±0.5 | 900~OVER : ±3.1 |
| ABOVE 300 | ±0.6 | XXX : ±0.1 | 200~250 : ±0.35 | | |



Description: PRODUCTION SPEC.
(PHYSICAL DIMENSION)

A4
SIZE

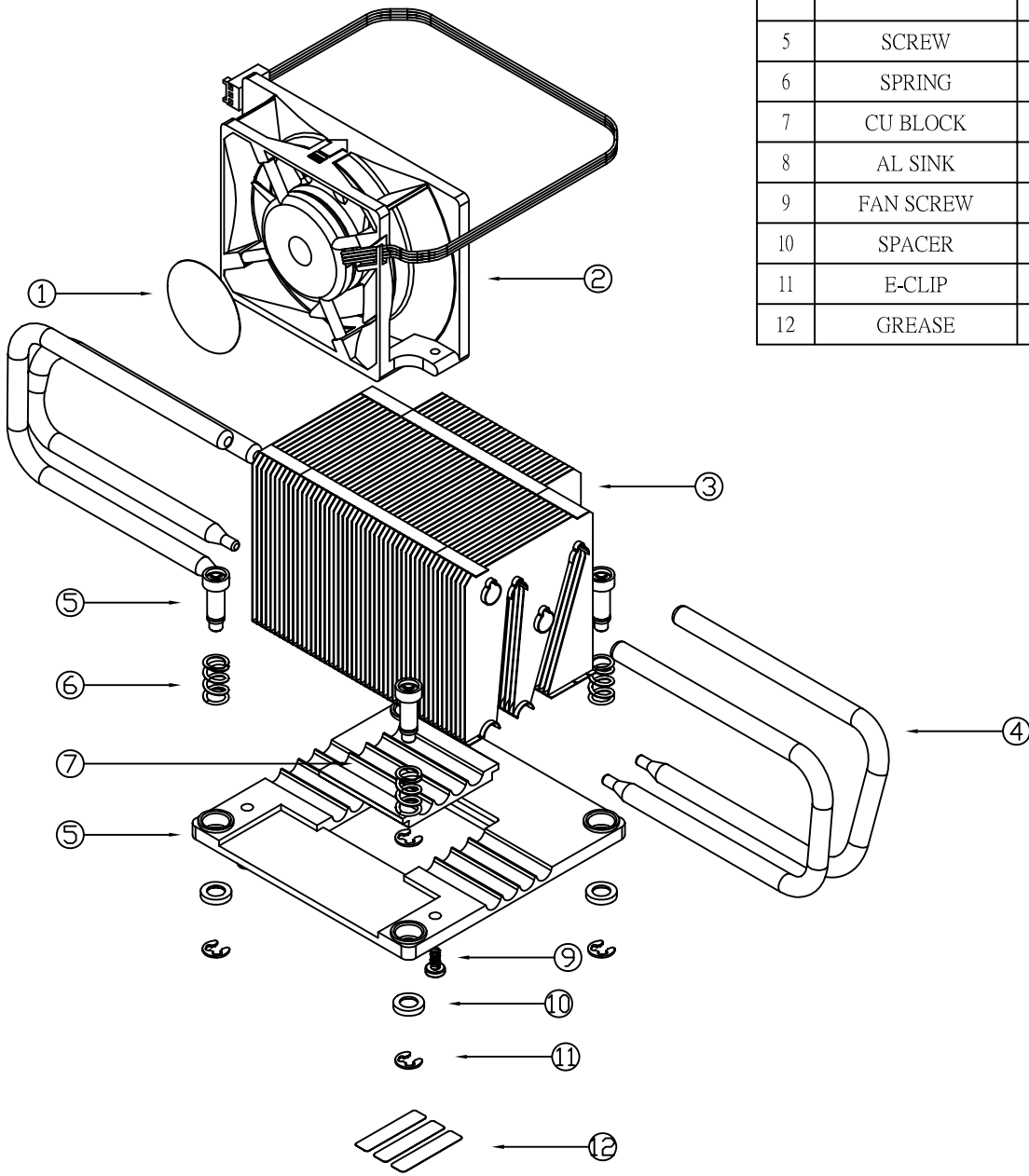
Part No.
FHS-A6025B02-PD

REV.

SCALE --- UNIT mm USED ON COOLER

SHEET 1 OF 1 ISSUE DATE:

| NO | DESCRIPTION | PART NO. | Q'TY |
|----|-------------|---------------------------|------|
| 1 | LABEL | 3267129600 | 1 |
| 2 | FAN | 3620927211 | 1 |
| 3 | FIN | 3346397100 | 1 |
| 4 | HEATPIPE | 3460094500~ 3460094800 | 4 |
| 5 | SCREW | 3105359900 | 4 |
| 6 | SPRING | 3462028800 | 4 |
| 7 | CU BLOCK | 3346397300 | 1 |
| 8 | AL SINK | 3346814700 | 1 |
| 9 | FAN SCREW | 3109182300 | 2 |
| 10 | SPACER | 3244747000 | 4 |
| 11 | E-CLIP | 3110262800 | 4 |
| 12 | GREASE | 4021101500 | 1 |



台達電子工業股份有限公司
DELTA ELECTRONICS, INC.

DELTA MODEL:
FHS-A6025B02

Drawn:
Skyler 05/28'12

THESE DRAWINGS AND SPECIFICATIONS ARE THE PROPERTY OF DELTA ELECTRONICS, INC. AND SHALL NOT BE REPRODUCED OR USED AS THE BASIS FOR THE MANUFACTURE OR SELL OF APPARATUSES OR DEVICES WITHOUT PERMISSION.

CUSTOMER NAME: -----

CUSTOMER P/N: -----

| DIMENSIONAL TOLERANCES | | HOLES : ±0.05 | | ANGLES : ±0.5° | |
|------------------------|-------|---------------|-----------------|-----------------|-----------------|
| () | () | () | () | () | () |
| <30 | ±0.25 | DECIMALS | UP~100 : ±0.2 | 250~300 : ±0.4 | UP~600 : ±1.5 |
| >30~100 | ±0.35 | X | 100~150 : ±0.25 | 300~350 : ±0.45 | 600~900 : ±2.4 |
| >100~300 | ±0.5 | XX | 150~200 : ±0.3 | 350~400 : ±0.5 | 900~OVER : ±3.1 |
| ABOVE 300 | ±0.6 | XXX | 200~250 : ±0.35 | | |



Description: PRODUCTION SPEC.
(ASSEMBLY ORDER)

A4
SIZE

Part No.
FHS-A6025B02-AS

REV.
--

SCALE --- UNIT --- USED ON COOLER

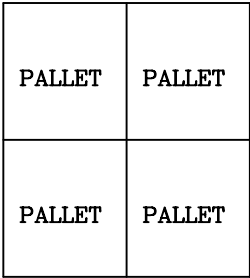
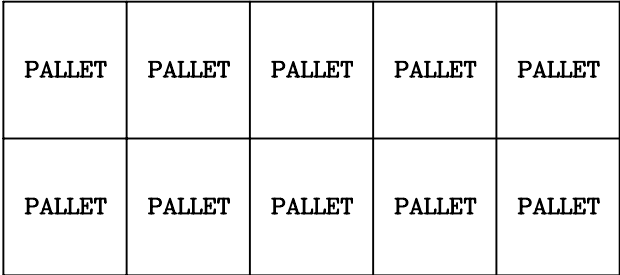
SHEET 1 OF 1 ISSUE DATE:



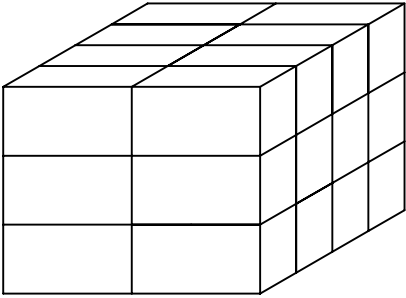
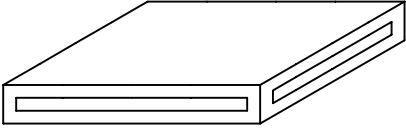
Delta Electronics Corp.

3. PACKING PLAN

Packing Specification

| | | | | | |
|---|-------------------------|-----------------------------|--------------------------------------|------------------|---|
| PART NO. | FHS-A6025B02 | | | | |
| BASIC DATA | QUANTITY/CARTON | | 24PCS (3 LAYERS/CARTON, 8 PCS/LAYER) | | |
| | PRODUCTION NET WEIGHT | | 13 Kg (REF) | | |
| | PRODUCTION GROSS WEIGHT | | 15 Kg (REF) | | |
| 20(ft)CONTAINER ILLUSTRATE | SIZE | 5.889(L)*2.352(w)*2.386(H)m | | PACKING QUANTITY | 20 PALLETS/CONTAINER |
| | CONTAINER | STEEL | | | |
| CONTAINER FORM | | | | |  <p>FRONT VIEW</p> |
| CONTAINER LOADING MATHOD | | | | | |
|  <p>TOP VIEW</p> | | | | | ← |

| | | | | |
|---------------------------|--------|-------------------------|------------------|-------------------|
| PALLET LOADING ILLUSTRATE | SIZE | 120(L)*100(w)*13.5(H)cm | PACKING QUANTITY | 24 CARTONS/PALLET |
| | PALLET | WOOD | | |

| | | | | |
|--|--|--|--|--|
| PALLET ILLUSTRATE | | | | |
| PALLET LOADING MATHOD | | | | |
|   | | | | |



台達電子工業股份有限公司
DELTA ELECTRONICS, INC.


DELTA MODEL:
FHS-A6025B02

Drawn:
Skyler 05/28'12

THESE DRAWINGS AND SPECIFICATIONS ARE THE PROPERTY OF DELTA ELECTRONICS, INC. AND SHALL NOT BE REPRODUCED OR USED AS THE BASIS FOR THE MANUFACTURE OR SELL OF APPARATUSES OR DEVICES WITHOUT PERMISSION.

CUSTOMER NAME: -----
CUSTOMER P/N: -----

| | | | |
|------------------------|-------|------------------------------|--|
| DIMENSIONAL TOLERANCES | | HOLES : ±0.05 ANGLES : ±0.5° | |
| () | () | () | () |
| <30 | ±0.25 | DECIMALS | UP-100 ±0.2 250-300 ±0.4 UP-600 ±1.5 |
| >30-100 | ±0.35 | X ±0.3 | 100-150 ±0.25 300-350 ±0.45 600-900 ±2.4 |
| >100-300 | ±0.5 | X.X ±0.2 | 150-200 ±0.3 350-400 ±0.5 900-OVER ±3.1 |
| ABOVE 300 | ±0.6 | X.XX ±0.1 | 200-250 ±0.35 |


 Description: PRODUCTION SPEC.
(PACKAGE SPEC.)
A4
 FHS-A6025B02-PA
 REV. 00

| | | | | | | | | | |
|-------|-----|------|-----|---------|--------|-------|--------|-------------|--|
| SCALE | --- | UNIT | --- | USED ON | COOLER | SHEET | 1 OF 2 | ISSUE DATE: | |
|-------|-----|------|-----|---------|--------|-------|--------|-------------|--|

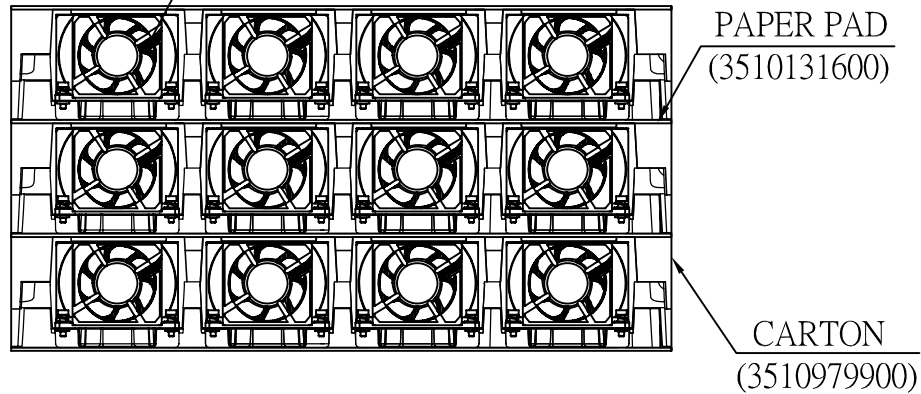
| | | | | |
|-------------------|----------|--------------------------|------------------|-----------------|
| CARTON ILLUSTRATE | SIZE | 498(L)*298(w)*265(H)(mm) | PACKING QUANTITY | 3 LAYERS/CARTON |
| | MATERIAL | 3 LAYERS"AB" FLUTE | CARTON WEIGHT | 0.8 kg (REF.) |

CARTON

| | |
|-------------------|--|
| CUSTOMER PART NO. | |
| DELTA PART NO. | |
| QUANTITY | |
| P/O NO. | |
| DATE CODE | |
| GROSS WEIGHT | |

| | | | | |
|-------------------------|-----------------|-------------------------|------------------|------------|
| TRAY PACKING ILLUSTRATE | SIZE | 490(L)*290(w)*90(H)(mm) | PACKING QUANTITY | 8 PCS/TRAY |
| | MATERIAL | PET | | |
| | MATERIAL WEIGHT | 540g (REF.) | | |

PRODUCT
(FHS-A6025B02)



台達電子工業股份有限公司
DELTA ELECTRONICS, INC.

DELTA MODEL:
FHS-A6025B02

Drawn:
Skyler 05/28'12

THESE DRAWINGS AND SPECIFICATIONS ARE THE PROPERTY OF DELTA ELECTRONICS, INC. AND SHALL NOT BE REPRODUCED OR USED AS THE BASIS FOR THE MANUFACTURE OR SELL OF APPARATUSES OR DEVICES WITHOUT PERMISSION.

CUSTOMER NAME: -----
CUSTOMER P/N: -----

| DIMENSIONAL TOLERANCES | | HOLES : ±0.05 ANGLES : ±0.5° | | | | | | | |
|------------------------|-------|------------------------------|--------|---------|---------|---------|--------|----------|------|
| () | () | () | () | () | () | | | | |
| <30 | ±0.25 | DECIMALS | UP~100 | ±0.2 | 250~300 | ±0.4 | UP~600 | ±1.5 | |
| >30~100 | ±0.35 | X | ±0.3 | 100~150 | ±0.25 | 300~350 | ±0.45 | 600~900 | ±2.4 |
| >100~300 | ±0.5 | X,X | ±0.2 | 150~200 | ±0.3 | 350~400 | ±0.5 | 900~OVER | ±3.1 |
| ABOVE 300 | ±0.6 | X,XX | ±0.1 | 200~250 | ±0.35 | | | | |



Description: PRODUCTION SPEC.
(PACKAGE SPEC.)

A4

FHS-A6025B02-PA

REV.

00

SCALE --- UNIT --- USED ON COOLER

SIZE SHEET 2 OF 2 ISSUE DATE:



Delta Electronics Corp.

4. FAN

Fan Specification



SPECIFICATION FOR APPROVAL

Customer tMPBU
Description DC FAN
Part No. 3620927211 REV.
Delta Model No. AFB0612DH-8G33 REV. 06
Sample Issue No.
Sample Issue Date JUN.08.2012

PLEASE SEND ONE COPY OF THIS SPECIFICATION BACK
AFTER YOU SIGNED APPROVAL FOR PRODUCTION PRE-
ARRANGMENT.

APPROVED BY:

DATE :

DELTA ELECTRONICS, INC.
TAOYUAN PLANT
252, SHANG YING ROAD, KUEI SAN INDUSTRIAL ZONE TAOYUAN
SHIEN, TAIWAN, R.O.C.
TEL:886-(0)3-3591968
FAX:886-(0)3-3591991

DELTA ELECTRONICS, INC.
252, SHANG YING ROAD, KUEI SAN
TAOYUAN HSIEN 333, TAIWAN, R. O. C.

TEL : 886-(0)3-3591968
FAX : 886-(0)3-3591991

STATEMENT OF DEVIATION

| |
|--|
| <input checked="" type="checkbox"/> NONE |
| <input type="checkbox"/> DESCRIPTION : |

DELTA ELECTRONICS, INC.
 252, SHANG YING ROAD, KUEI SAN
 TAOYUAN SHIEN 333, TAIWAN, R. O. C.

TEL : 886-(0)3-3591968
 FAX : 886-(0)3-3591991

SPECIFICATION FOR APPROVAL

| | | |
|--------------------|----------------|--|
| Customer: | tMPBU | |
| Description: | DC FAN | |
| Customer P/N: | 3620927211 | REV: |
| Delta Model NO.: | AFB0612DH-8G33 | Delta Safety Model NO: AFB0612DH-8G33 |
| Sample Rev: | 06 | Issue NO: |
| Sample Issue Date: | JUN.08.2012 | Quantity: |

1. SCOPE:

THIS SPECIFICATION DEFINES THE ELECTRICAL AND MECHANICAL CHARACTERISTICS OF THE DC BRUSHLESS AXIAL FLOW FAN. THE FAN MOTOR IS WITH SINGLE PHASE AND FOUR POLES.

2. CHARACTERS:

| ITEM | DESCRIPTION |
|--|--|
| RATED VOLTAGE | 12.0 VDC |
| OPERATION VOLTAGE | 10.8 - 13.2 VDC |
| INPUT CURRENT | 0.35 (MAX. 1.20) A (CURRENT ON SAFETY LABEL 1.20A) |
| INPUT POWER | 4.20 (MAX. 14.40) W |
| SPEED (FAN ONLY) | 7300±10% R.P.M. |
| SPEED (ON SINK) | 7200±10% R.P.M. |
| MAX. AIR FLOW (AT ZERO STATIC PRESSURE) | 0.878 (MIN. 0.790) M ³ /MIN. 31.01 (MIN. 27.91) CFM |
| MAX. AIR PRESSURE (AT ZERO AIRFLOW) | 13.79 (MIN. 11.17) mmH ₂ O 0.543 (MIN. 0.440) inchH ₂ O |
| ACOUSTICAL NOISE (AVG. ON SINK) | 61.0 (MAX. 65.0) dB-A |
| INSULATION TYPE | UL: CLASS A |

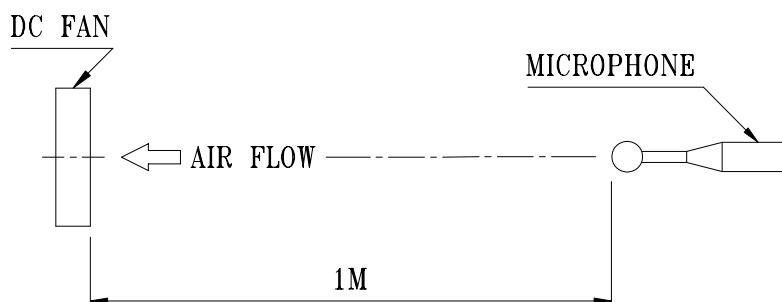
(continued)

PART NO: 3620927211

DELTA MODEL: AFB0612DH-8G33

| | |
|---------------------------------------|---|
| INSULATION STRENGTH | 10 MEG OHM MIN. AT 500 VDC (BETWEEN FRAME AND (+) TERMINAL) |
| DIELECTRIC STRENGTH | 5 mA MAX. AT 500 VAC 50/60 Hz ONE MINUTE, (BETWEEN FRAME AND (+) TERMINAL) |
| EXTERNAL COVER | OPEN TYPE |
| LIFE EXPECTANCE (AT LABEL VOLTAGE) | 80,000 HOURS CONTINUOUS OPERATION AT 45 °C WITH 15 ~ 65 %RH. |
| ROTATION | CLOCKWISE VIEW FROM NAME PLATE SIDE |
| OVER CURRENT SHUT DOWN | THE CURRENT WILL SHUT DOWN WHEN LOCKING ROTOR. |
| LEAD WIRE | UL 1430 -F- AWG #26 BLACK WIRE:NEGATIVE (-) YELLOW WIRE:POSITIVE (+) GREEN WIRE:TACHOMETER OUTPUT (F00) BLUE WIRE:SPEED CONTROL (PWM) |

- NOTES: 1. ALL READINGS ARE MEASURED AFTER STABLY WARMING UP THROUGH 10 MINUTES.
2. THE VALUES WRITTEN IN PARENS , (), ARE LIMITED SPEC.
3. ACOUSTICAL NOISE MEASURING CONDITION:



NOISE IS MEASURED AT RATED VOLTAGE IN FREE AIR IN ANECHOIC CHAMBER WITH B & K SOUND LEVEL METER WITH MICROPHONE AT A DISTANCE OF ONE METER FROM THE FAN INTAKE.

PART NO: 3620927211

DELTA MODEL: AFB0612DH-8G33

3. MECHANICAL:

- 3-1. DIMENSIONS ----- SEE DIMENSIONS DRAWING
- 3-2. FRAME ----- PLASTIC UL: 94V-0
- 3-3. IMPELLER ----- PLASTIC UL: 94V-0
- 3-4. BEARING SYSTEM ----- TWO BALL BEARING
- 3-5. WEIGHT ----- 85 GRAMS

4. ENVIRONMENTAL:

- 4-1. OPERATING TEMPERATURE ----- -10 TO +70 DEGREE C
- 4-2. STORAGE TEMPERATURE ----- -30 TO +85 DEGREE C
- 4-3. OPERATING HUMIDITY --- 85% RELATIVE HUMIDITY WITH 55 DEGREE C
- 4-4. STORAGE HUMIDITY ----- 5 TO 95 % RH

5. PROTECTION:

5-1. LOCKED ROTOR PROTECTION

IMPEDANCE OF MOTOR WINDING PROTECTS MOTOR FROM FIRE IN 96 HOURS OF LOCKED ROTOR CONDITION AT THE RATED VOLTAGE.

5-2. POLARITY PROTECTION

BE CAPABLE OF WITHSTANDING IF REVERSE CONNECTION FOR POSITIVE AND NEGATIVE LEADS.

6. RE OZONE DEPLETING SUBSTANCES:

- 6-1. NO CONTAINING PBBs, PBBOs, CFCs, PBBEs, PBDPEs AND HCFCs.

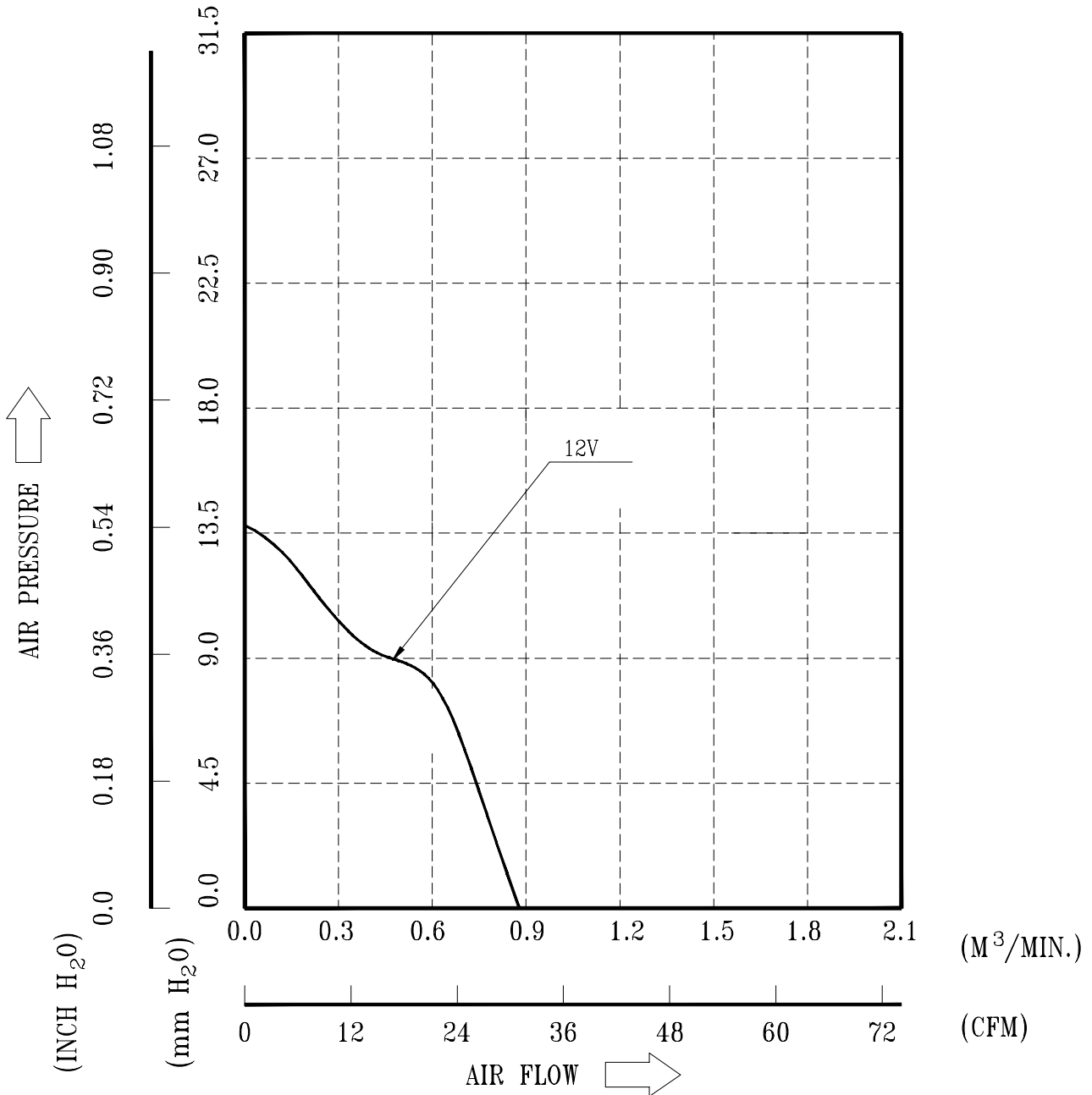
7. PRODUCTION LOCATION

- 7-1. PRODUCTS WILL BE PRODUCED IN CHINA OR TAILAND OR TAIWAN.

PART NO: 3620927211

DELTA MODEL: AFB0612DH-8G33

8. P & Q CURVE:



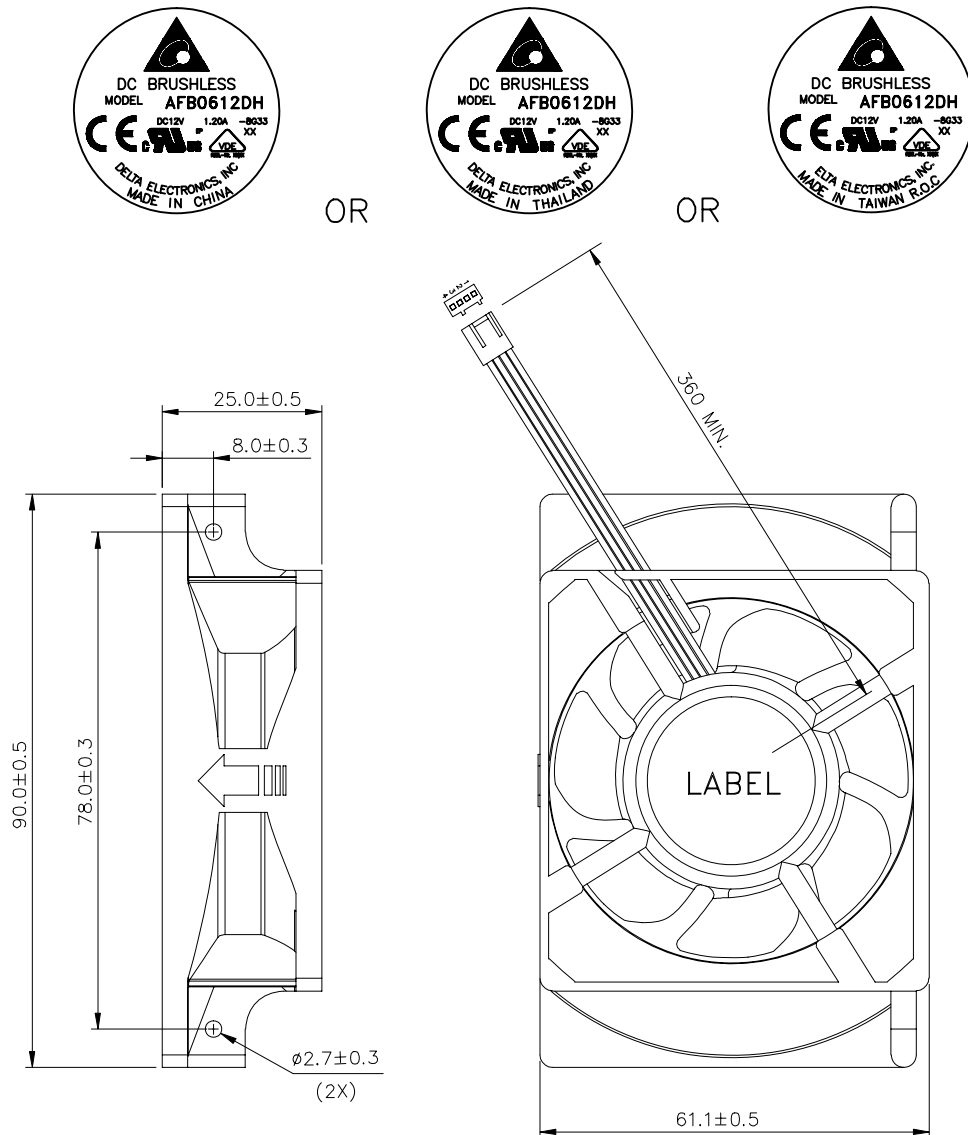
* TEST CONDITION: INPUT VOLTAGE ----- OPERATION VOLTAGE
TEMPERATURE ----- ROOM TEMPERATURE
HUMIDITY ----- 65%RH

PART NO: 3620927211

DELTA MODEL: AFB0612DH-8G33

9. DIMENSION DRAWING:

LABEL:



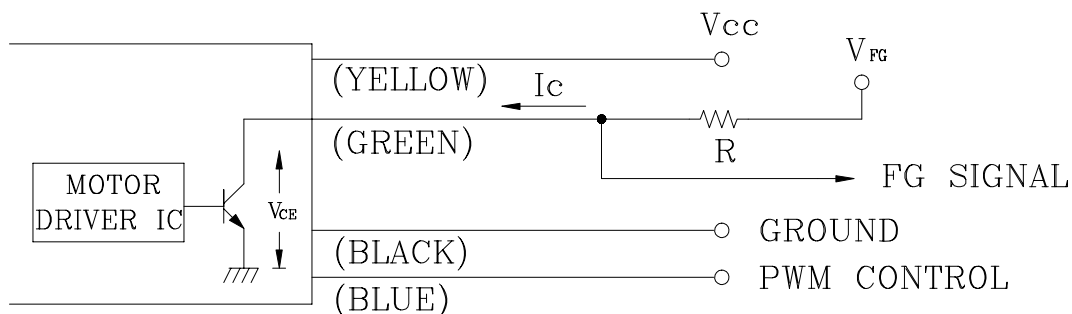
- NOTES : 1. LEAD WIRE: UL 1430 -F- AWG #26 UNIT: mm
PIN 1: BLACK WIRE: NEGATIVE (-)
PIN 2: YELLOW WIRE: POSITIVE (+)
PIN 3: GREEN WIRE: TACHOMETER OUTPUT (FOO)
PIN 4: BLUE WIRE: SPEED CONTROL (PWM)
2. HOUSING : MOLEX 47054-1000 OR EQUIVALENT
3. TERMINAL : MOLEX 2759T 08-50-0113 OR EQUIVALENT
4. THIS PRODUCT IS RoHS COMPLIANT

PART NO: 3620927211

DELTA MODEL: AFB0612DH-8G33

10. FREQUENCY GENERATOR (FG) SIGNAL:

10-1. OUTPUT CIRCUIT - OPEN COLLECTOR MODE:



CAUTION: THE FG SIGNAL LEAD WIRE MUST BE KEPT AWAY FROM
" + " LEAD WIRE & " - " LEAD WIRE.

10-2. SPECIFICATION:

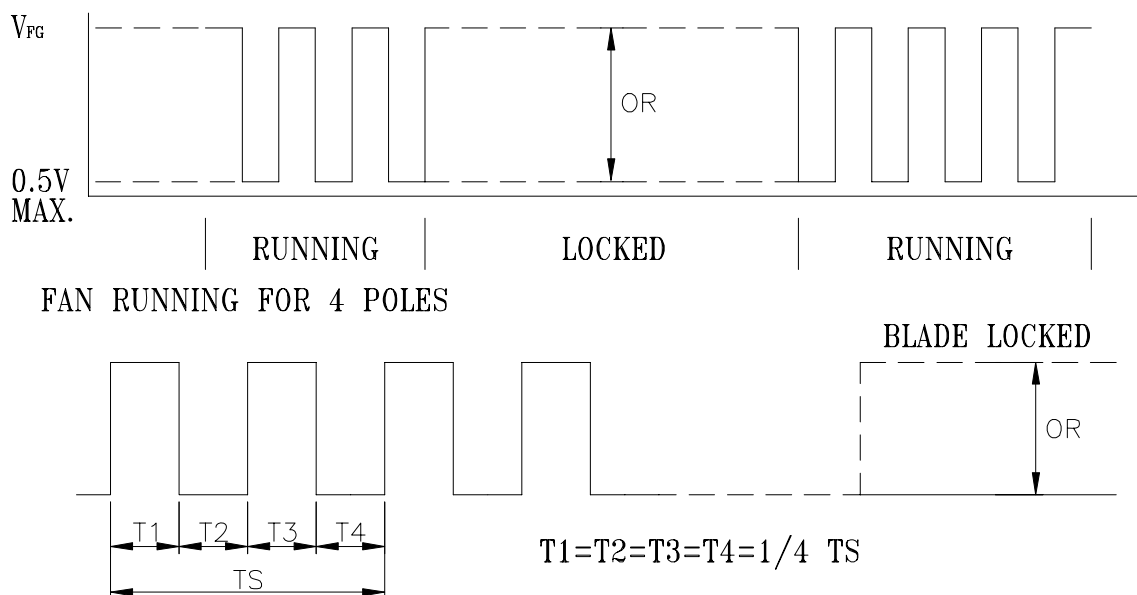
$$V_{ce(sat)} = 0.5V \text{ MAX}$$

$$V_{FG} = 5.0V \text{ TYP. (} V_{cc} \text{ MAX.)}$$

$$I_c = 5mA \text{ MAX.}$$

$$R \geq V_{FG} / I_c$$

10-3. FREQUENCY GENERATOR WAVEFORM:



$N = \text{R.P.M}$

$TS = 60/N(\text{SEC})$

*VOLTAGE LEVEL AFTER BLADE LOCKED

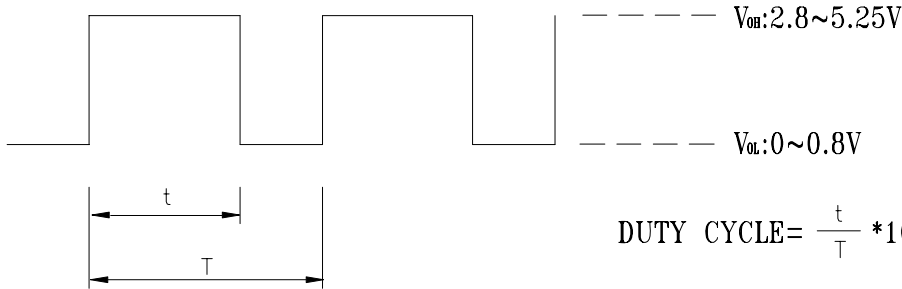
*4 POLES

 PART NO: 3620927211

DELTA MODEL: AFB0612DH-8G33

11. PWM CONTROL SIGNAL:

SIGNAL VOLTAGE RANGE: 0~5.25 VDC

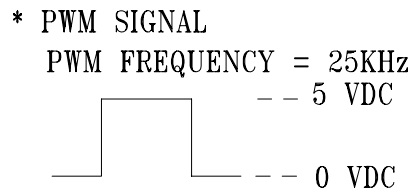


- THE FREQUENCY FOR CONTROL SIGNAL OF THE FAN SHALL BE ABLE TO ACCEPT A 21KHZ~28KHZ.
- THE PREFERRED OPERATING POINT FOR THE FAN IS 25K HZ.
- AT 100% DUTY CYCLE,THE ROTOR WILL SPIN AT MAXIMUM SPEED.
- AT 0~10% DUTY CYCLE,THE ROTOR WILL SPIN AT MINIMUM SPEED.
- WITH CONTROL SIGNAL LEAD DISCONNECTED,THE FAN WILL SPIN AT MAXIMUM SPEED.

12. SPEED VS PWM CONTROL SIGNAL:

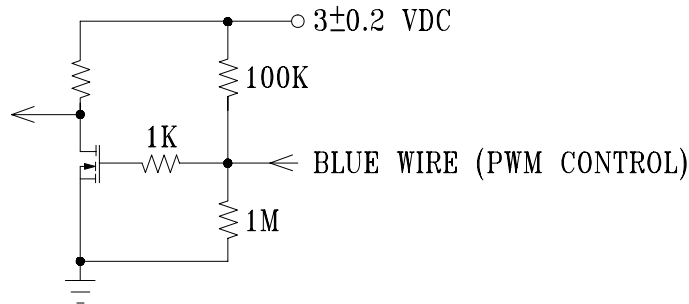
(AT 25°C, RATED VOLTAGE & PWM SIGNAL AS FOLLOW)

| DUTY CYCLE (%) | FAN ONLY | | FAN ON SINK | |
|----------------|----------------|------------------|----------------|------------------|
| | SPEED (R.P.M.) | CURRENT (A) TYP. | SPEED (R.P.M.) | CURRENT (A) TYP. |
| 100 | 7300±10% | 0.35 | 7200±10% | 0.35 |
| 0~10 | 1000±250 | 0.03 | 1000±250 | 0.03 |



- MIN. START DUTY CYCLE : 30%.
 WHEN DUTY CYCLE IS SET FOR MORE THAN 30%, THE FAN WILL BE ABLE TO START FROM A DEAD STOP.

13. PWM CONTROL LEAD WIRE INPUT IMPEDANCE:





Application Notice

- 1. Delta will not guarantee the performance of the products if the application condition falls outside the parameters set forth in the specification.**
- 2. A written request should be submitted to Delta prior to approval if deviation from this specification is required.**
- 3. Please exercise caution when handling fans. Damage may be caused when pressure is applied to the impeller, if the fans are handled by the lead wires, or if the fan was hard-dropped to the production floor.**
- 4. Except as pertains to some special designs, there is no guarantee that the products will be free from any such safety problems or failures as caused by the introduction of powder, droplets of water or encroachment of insect into the hub.**
- 5. The above-mentioned conditions are representative of some unique examples and viewed as the first point of reference prior to all other information.**
- 6. It is very important to establish the correct polarity before connecting the fan to the power source. Positive (+) and Negative (-). Damage may be caused to the fans if connection is with reverse polarity, if there is no foolproof method to protect against such error specifically mentioned in this spec.**
- 7. Delta fans without special protection are not suitable where any corrosive fluids are introduced to their environment.**
- 8. Please ensure all fans are stored according to the storage temperature limits specified. Do not store fans in a high humidity environment. We highly recommend performance testing is conducted before shipping, if the fans have been stored over 6 months.**
- 9. Not all fans are provided with the Lock Rotor Protection feature. If you impair the rotation of the impeller for the fans that do not have this function, the performance of those fans will lead to failure.**
- 10. Please be cautious when mounting the fan. Incorrect mounting of fans may cause excess resonance, vibration and subsequent noise.**
- 11. It is important to consider safety when testing the fans. A suitable fan guard should be fitted to the fan to guard against any potential for personal injury.**
- 12. Except where specifically stated, all tests are carried out at room (ambient) temperature and relative humidity conditions of 25°C, 65% RH. The test value is only for fan performance itself.**
- 13. Be certain to connect an “ 4.7μF or greater” capacitor to the fan externally when the application calls for using multiple fans in parallel, to avoid any unstable power.**