

PART NUMBER	REV	FIRST USED	TERMINATOR	FEED TYPE	DESCRIPTION
1528390-1	B	-	LEADMAKER	MECH POST FEED	CUTS CARRIER
1528390-2	B	-	BENCH	MECH PRE FEED	CUTS CARRIER
1528390-6	B	-	LEADMAKER	MECH POST FEED	CONTINUOUS CARRIER
7-1528390-1	B	-	LEADMAKER	MECH POST FEED	-1 AND SPARE PARTS
7-1528390-2	B	-	BENCH	MECH PRE FEED	-2 AND SPARE PARTS
7-1528390-6	B	-	LEADMAKER	MECH POST FEED	-6 AND SPARE PARTS
7-1528390-7	A	-	-	-	SPARE PARTS KIT

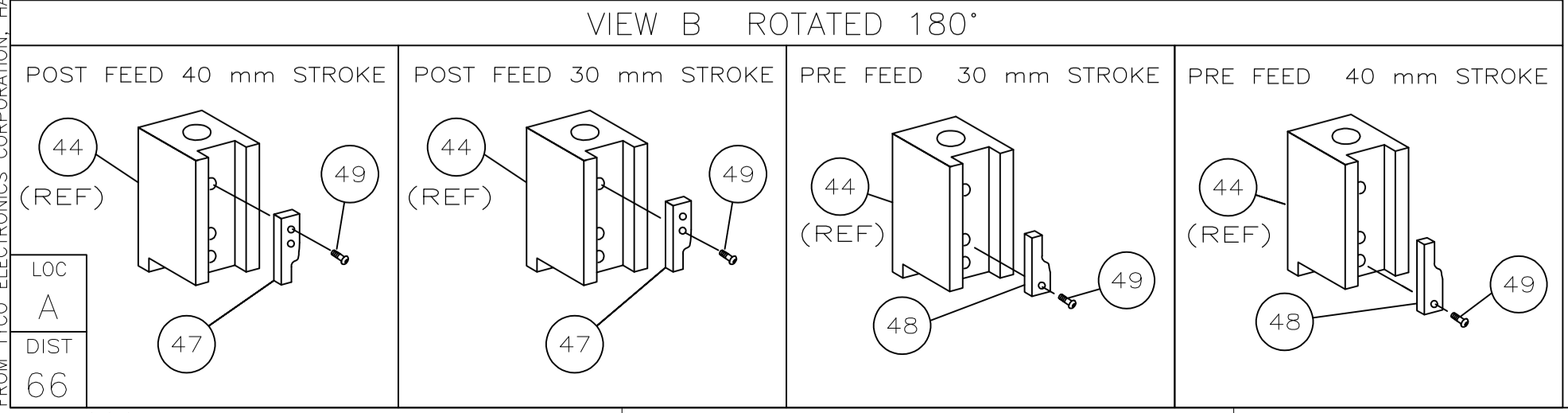
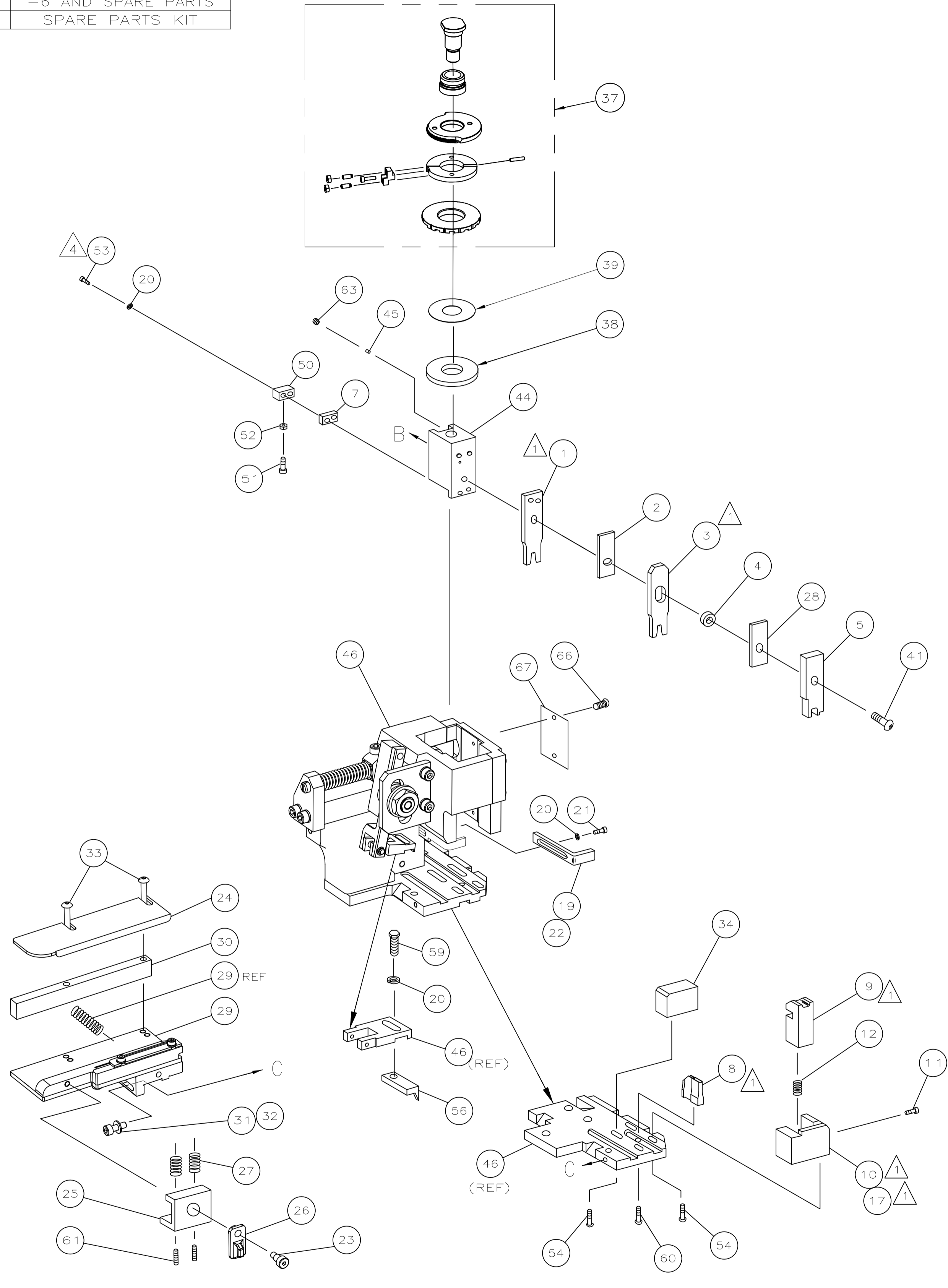
CRIMP DATA YAZAKI TERMINAL YAZAKI CRIMP SPECS			
TERMINAL NAME: 1.5 SYSTEM CONNECTOR			
CRIMP	SIZE	TYPE	RANGE
WIRE	2.29 [.090 IN]	F	1.50mm <sup>2</sup>
INSUL	2.54 [.100 IN]	OV	2.20-2.40 [.087-.094 IN]
WIRE STRIP LENGTH	APPL INSTRUCTION		
5.00-5.50 [.197-.217 IN]	408-8322 & 408-8490		
TERMINAL APPL SPEC	YAZAKI YPES 72-WT08-759-1	-	FEED 10.92 [.430 IN]

TERMINALS APPLIED				
AMP TERM PN	MFR TERM PN			
1572461	7114-4104-02	-	-	-
-	-	-	-	-
-	-	-	-	-
-	-	-	-	-
-	-	-	-	-
-	-	-	-	-
-	-	-	-	-
-	-	-	-	-
-	-	-	-	-
-	-	-	-	-

WIRE SIZE mm <sup>2</sup> AWG	CRIMP HEIGHT *	REF SETTING
1.50mm <sup>2</sup>	1.45 ±0.05 [.057 ±.002 IN]	C 6
-	-	-
-	-	-
-	-	-
-	-	-
-	-	-
-	-	-
-	-	-
-	-	-
-	-	-
-	-	-
-	-	-
-	-	-
-	-	-
-	-	-
-	-	-
-	-	-
-	-	-
-	-	-
-	-	-

SET UP GAGE 458637-3	LAYOUT L1528390
-------------------------	--------------------

- RECOMMENDED SPARE PARTS.
- 2.** GREASE RAM, CAM, CAM FOLLOWER AND FEED ROD LIGHTLY.
- 3.** LUBRICATE DAILY PER THE APPLICATOR INSTRUCTION SHEET SUPPLIED WITH THE APPLICATOR.
- 4.** CUT TO LENGTH AT ASSY.



**\* WARNING:**  
ON INSTALLATION, SET WIRE DISC TO LARGEST WIRE SIZE SETTING. USE OF SETTINGS BELOW MIN REQUIRED CRIMP HEIGHT SETTING WILL CAUSE DAMAGE TO CRIMP TOOLING.

ITEM 34 LOCATION

QTY REQD PER ASSY	PART NO	DESCRIPTION	ITEM NO						
-	1	1	1	1	1	1	1528390	PRINT, APPLICATOR LOG SHEET	73
-	1	1	1	1	1	1	1338705-3	DOCUMENTATION PACKAGE	72
-	-	-	-	-	-	-	-	-	70
-	-	-	-	-	-	-	-	-	69
-	-	-	-	-	-	-	-	-	68
-	1	1	1	1	1	1	461264-5	PLATE, IDENTIFICATION	67
-	2	2	2	2	2	2	21017-2	SCR,DRIVE(#2x.19)ID PLATE	66
-	-	-	-	-	-	-	-	-	65
-	-	-	-	-	-	-	-	-	64
-	1	1	1	1	1	1	3-18031-0	SCR,SKT SET(M6X6)RAM	63
-	-	-	-	-	-	-	-	-	62
-	2	2	2	2	2	2	2-18032-5	SCR,SET(M5X20)DRAG	61
-	1	1	1	1	1	1	18024-7	SCR,BHC(M4X10)ANVIL	60
-	1	1	1	1	1	1	5-18022-2	SCR,HEX(M4X8)FEED FINGER	59
-	-	-	-	-	-	-	-	-	58
-	-	-	-	-	-	-	-	-	57
-	1	1	1	1	1	1	1338685-1	PAWL, FEED	56
-	-	-	-	-	-	-	-	-	55
-	4	4	4	4	4	4	18024-8	SCR,BHC(M4x12)SHEAR HOLDER	54
-	2	2	2	2	2	2	1-18023-4	SCR,SHC(M4x20)TERM HLD DWN	53
-	1	1	1	1	1	1	18030-1	NUT,HEX(M4)HOLD DOWN	52
-	1	1	1	1	1	1	811242-5	BUMPER, HOLDDOWN	51
-	1	1	1	1	1	1	690753-2	SPACER, TONKER	50
-	1	1	1	1	1	1	18024-3	SCR,BHC(M3X10)CAM	49
-	-	-	-	-	-	-	-	-	48
-	1	-	1	-	1	-	1338675-1	CAM, PRE FEED 30 & 40 mm ST	47
-	1	-	1	-	1	-	1338676-1	CAM, POST FEED 30 & 40 mm ST	47
-	1	1	1	1	1	1	1320999-3	APPLICATOR BASIC SUBASSY	46
-	1	1	1	1	1	1	690191-1	PLUG, NYLON	45
-	1	1	1	1	1	1	1338660-1	RAM	44
-	-	-	-	-	-	-	-	-	43
-	-	-	-	-	-	-	-	-	42
-	1	1	1	1	1	1	992285-2	SCR,SHC(M8X25)RAM,LOW HD	41
-	-	-	-	-	-	-	-	-	40
-	1	1	1	1	1	1	690125-1	SHIM SUBASSY	39
-	1	1	1	1	1	1	469367-1	SPACER, FINE ADJUST	38
-	1	1	1	1	1	1	879103-2	FINE ADJUST HEAD SUBASSY	37
-	-	-	-	-	-	-	-	-	36
-	-	-	-	-	-	-	-	-	35
-	1	1	1	1	1	1	1320934-6	SUPPORT, TERMINAL	34
-	2	2	2	2	2	2	1-18024-0	SCR,BHC(M4X20)STRIP GUIDE	33
-	1	1	1	1	1	1	18027-2	WASHER, FLAT(M4)	32
-	1	1	1	1	1	1	1-18023-2	SCR,SKT CAP(M4X12)MOUNT BLOCK	31
-	1	1	1	1	1	1	1320908-2	SPACER, STRIP GUIDE	30
-	1	1	1	1	1	1	1-1633073-3	STRIP GUIDE PLATE ASSY	29
-	1	1	1	1	1	1	2-455888-2	SPACER, FRONT SHEAR DEP	28
-	2	2	2	2	2	2	1-22284-0	SPRING, DRAG	27
-	1	1	1	1	1	1	356835-1	LEVER, DRAG RELEASE	26
-	1	1	1	1	1	1	240792-1	DRAG, TERMINAL	25
-	1	1	1	1	1	1	1320928-1	PLATE, STRIP GUIDE	24
-	1	1	1	1	1	1	980371-4	SCR,SHC SHLD	23
-	1	-	1	-	1	-	690472-2	STRIPPER	22
-	1	1	1	1	1	1	1-18023-1	SCR,SHC(M4X10)STRIPPER	21
-	4	4	4	4	4	4	18025-2	WASHER,LOCK(M4)STRIPPER	20
-	-	-	-	-	-	-	-	-	19
-	-	-	-	-	-	-	-	-	18
-	1	-	-	1	-	-	1338684-1	HOLDER, SHEAR, FRONT (NO-CUT)	17
-	-	-	-	-	-	-	-	-	16
-	-	-	-	-	-	-	-	-	15
-	-	-	-	-	-	-	-	-	14
-	-	-	-	-	-	-	-	-	13
-	1	1	1	1	1	1	3-22280-3	SPRING, SHEAR	12
-	1	1	1	1	1	1	356885-4	STOP, SHEAR	11
-	-	1	1	-	1	1	1320921-1	HOLDER, SHEAR, FRONT (CUT)	10
-	1	1	1	1	1	1	1-454276-9	SHEAR, FLOAT (FRONT)	9
-	1	2	2	2	1	1	6-1333205-4	ANVIL	8
-	1	1	1	1	1	1	3-240641-5	SPACER, DEPRESSOR (REAR)	7
-	-	-	-	-	-	-	-	-	6
-	1	1	1	1	1	1	3-455889-6	DEPRESSOR, SHEAR (FRONT)	5
-	1	1	1	1	1	1	238011-9	SPACER, BLOCK CRIMPER	4
-	1	2	2	2	1	1	4-854830-0	CRIMPER, INSULATION	3
-	1	1	1	1	1	1	455888-8	SPACER, CRIMPER	2
-	1	2	2	2	1	1	6-456406-5	CRIMPER, WIRE	1
-77	-76	-72	-71	-6	-2	-1	PART NO	DESCRIPTION	ITEM NO

DWN: M. CLIFFORD	28APR04	MATERIAL: -	HEAT TREAT: -
CHK: -	-	-	-
APVD: F. BACKHURST	28APR04	Tyco Electronics Corporation Harrisburg, PA 17105-3608	
NAME: -	-	FINE ADJ SIDE FD HD-I APPL	
SCALE: -	SIZE: A1	DRAWING NO: 1528390	SHEET 1 of 1 REV B